

BIG FOOT TOOLS

10-1/4" WORM DRIVE BEAM SAW

OWNER'S OPERATING AND SAFETY GUIDE

ITEM # SC-1025SU



IMPORTANT: READ BEFORE USING YOUR BIG FOOT SAW!



Big Foot Tools
Henderson NV 89009
Phone: 702-565-9954
Toll Free: 888-798-4499
Fax: 702-579-9046
Email: info@bigfoottools.com
www.bigfoottools.com

BIG FOOT TOOL ADAPTERS GUIDE

SAFETY RULES

GENERAL AND PERSONAL SAFETY

- 1. WORK AREAS** should always be clean and clutter free.
- 2. DO NOT EXTEND** more than one tooth length past the material that you're cutting through.
- 3. DO NOT USE IN DANGEROUS ENVIRONMENT** such as wet or damp locations. Don't use the saw in the rain. Electric shock may occur.
- 4. AVOID GASEOUS AREAS.** Don't use electric power tools in explosive atmospheres in presence of flammable liquids or gases. Motors in these tools normally spark and may ignite the fumes.
- 5. KEEP CHILDREN AWAY.** Do not let visitors or children contact tool or extension cord. All visitors and children should be kept away from work area.
- 6. DRESS PROPERLY.** Do not wear long, loose clothing or jewelry for they could get caught in the moving parts. Be sure to use precaution when using outdoors. Example: Non-skid shoes, rubber gloves, etc...
- 7. SAFETY AGAINST ELECTRIC SHOCK.** Avoid body contact with grounded surfaces. Examples: Ranges, rebar, pipes, j-bolts, refrigerator enclosures. A ground fault, circuit interrupter protected power line must be used in wet or damp conditions.
- 8. WEAR SAFETY GOGGLES** or glasses with side shields at all times. Wear hearing protection when using the saw for extended use. Use a dust mask for dusty operations.
- 9. DO NOT USE WHEN YOU'RE TIRED,** sleepy or under the influence of drugs of any kind. Think safe & be safe at all times!
- 10. THE USE OF ANY OTHER ACCESSORIES NOT OF THIS KIT MAY CREATE A SAFETY HAZARD!**
- 11. TO AVOID ACCIDENTAL STARTING OR INJURY,** do not carry saw plugged in, with finger on switch.
- 12. KEEP PROPER FOOTING AND BALANCE** at all times. Do not use in an unsafe position.
- 13. BEFORE CONNECTING THE TOOL** to the power source (receptacle, outlet, etc...) be sure voltage supplied is the same as that specified on the nameplate of the tool. A power source with voltage greater than that specified for the tool can result in serious injury to the user. If in doubt, do not plug in the saw. Using a power source with voltage less or more than the nameplate rating is harmful to the motor

BIG FOOT TOOL ADAPTERS GUIDE

SAFETY RULES

GENERAL AND PERSONAL SAFETY

- 14. DO NOT FORCE THE SAW** through the material. Let the saw do the cutting at a safe rate.
- 15. DO NOT CUT ROUND WOOD, TREES, LIMBS, LOGS, OR PIPES.**
- 16. STORE OUT OF THE REACH OF CHILDREN** or any other persons not familiar with saw operations.
- 17. DO NOT USE A DULL OR DAMAGED BLADE!** Think safe and be safe.
- 18. KEEP HANDS AND FINGERS** or any other body parts from cutting areas of the saw.
- 19. DO NOT PIN LOWER GUARD UP.** To raise the lower guard, use guard lift lever.
- 20. DO NOT RUN THE SAW WHILE WALKING OR CARRYING AT YOUR SIDE.**
- 21. DO NOT HOLD ANY MATERIAL WITH YOUR HAND OR FEET. SECURE YOUR WORK WITH CLAMPS OR A VICE.** This will free both hands to operate the tool more safely. Keep work on a flat surface while cutting.
- 22. DO NOT USE THE SAW IF IT HAPPENS TO DROP.** Check all moving parts before using. Do not use if any part is broken or damaged. Do not use the saw if the lower guard does not move freely or floes instantly.
- 23. USE OUTDOOR EXTENSION CORDS.** When using the saw outdoors, use only extension cord suitable for use outdoors. Use the proper recommended sizes of extension cords. Example: 3- 10 or 3-12.
- 24. DISCONNECT THE SAW** when not in use.
- 25. DO NOT USE THE SAW IF THE SWITCH DOES NOT TURN ON OR OFF PROPERLY.**

BLADE ATTACHMENT

1. ALWAYS DISCONNECT THE CORD FROM ELECTRICAL POWER SOURCE BEFORE MAKING ANY ADJUSTMENT.
2. Press the lock button and turn wrench until lock button engages. Continue to depress button while turning wrench clockwise and remove stud and outer washer.
3. Move lower guard up so blade can be removed easily.
4. Make sure the new sharp saw teeth and arrow on the lower guard are pointing in the same direction.
5. Replace outer washer and stud. TIGHTEN BLADE STUD $\frac{1}{4}$ TURN WITH THE WRENCH AFTER SCREWING IT DOWN FINGER TIGHT.

DO NOT RUN THE BIG FOOT® SAW ADAPTER KIT WITHOUT ALL PARTS PROVIDED. MAKE SURE EVERYTHING WORKS PROPERLY BEFORE USING.

WARNING:

This is a kit. Proper installation depends upon you to make sure it is done right. Big Foot® Saw Adapters is not responsible for installation of the kit to your Skil® Type 17, Bosch® 1677M, or Mag77® Type1.

DO NOT; attempt to put this kit on other models.

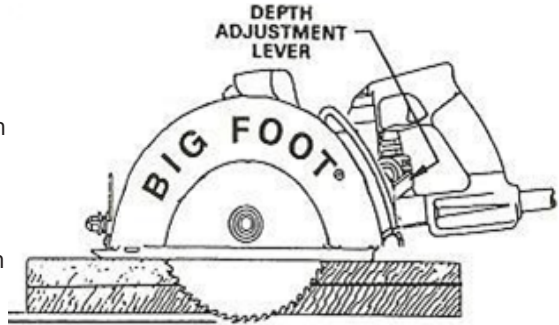
THINK SAFE, BE SAFE

For further information on saw maintenance and safety, read the Skil® Operating Guide.

OPERATING INSTRUCTIONS

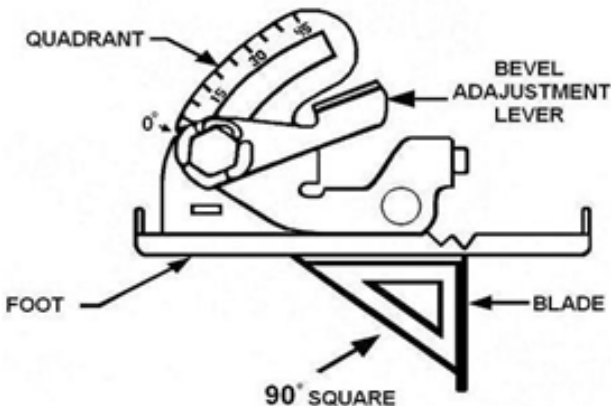
DEPTH ADJUSTMENT

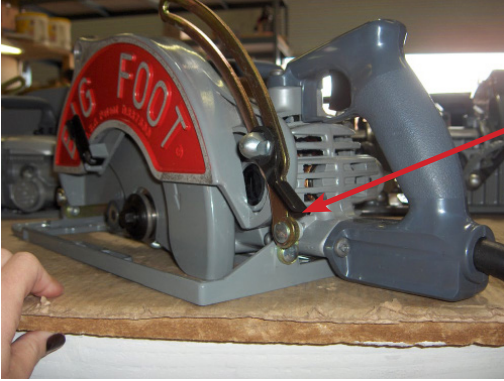
Unplug the cord from power source. Loosen the depth adjustment lever located on the upper guard. Hold the foot down with one hand and raise or lower the saw by the handle. Tighten lever at the desired depth. Remember only one tooth length should penetrate the wood for minimum splintering.



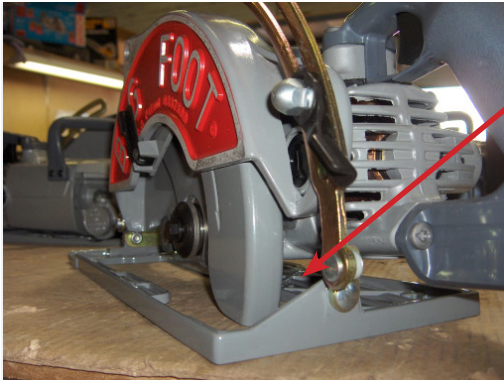
90° CUTTING ANGLE CHECK

Always check your foot and blade for a true 90° cut with a small square.



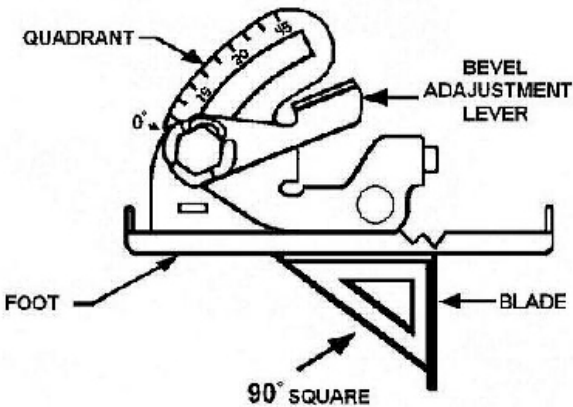


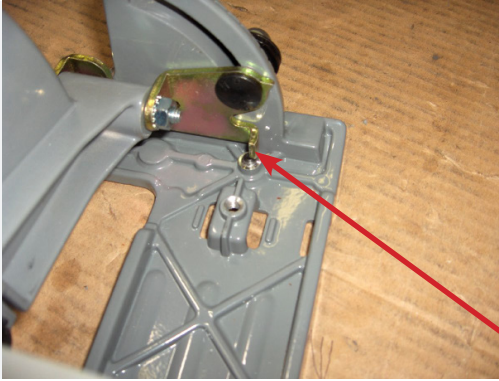
1. Notice that when slide is all the way down the handle of the saw hits the foot plate.



2. Lift the saw slightly so that there is a gap in between the foot-plate and the saw. Loosen the thumb lever on the slide to raise the saw.

3. Always check the foot and blade for a true 90





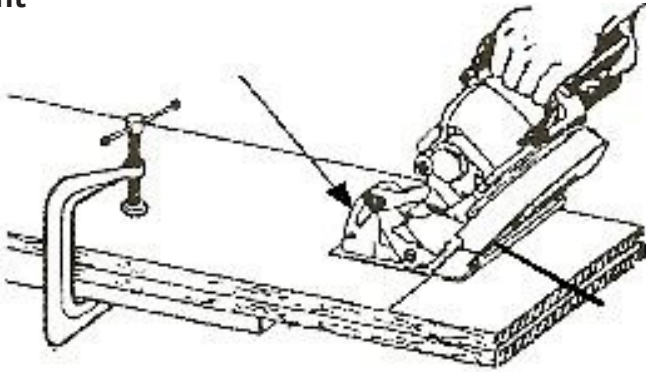
4. Set the pointer to 0 on the quad and set the stop screw with an allen wrench. If the bottom part of the pointer hits the top of the foot then take a file and file down slightly.

Your Big Foot Saw should now be at a 90°. Be sure to follow all safety instructions in operator's manual.

BEVEL ADJUSTMENT

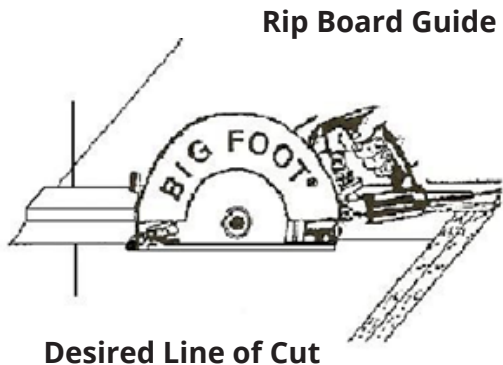
Disconnect plug from power source. The foot can be adjusted up to 45° by loosening the bevel adjustment lever at the front of the saw. Align to desired angle on calibrated quadrant. Then tighten bevel adjustment first, then the depth adjustment lever (Fig. 3). Because of the increased amount of blade engagement in the work and decreased stability of the foot, blade binding may occur. Keep the saw steady and foot firmly on the work-piece.

Quadrant



RIP BOARD GUIDE

When rip cutting large sheets, clamp or nail a straight piece of 1" wood to the sheet as a guide (Fig. 4). Use the right side of the foot against the board guide.



WARNING

Hold the saw firmly to prevent loss of control, which could cause personal injury. The saw will feel a little different with the 10 ¼" blade.

Remember, you now have a Big Foot® with the 10 ¼" blade. It now cuts up to, 3 7/8" depth of cut, so please think safety at all times.



Big Foot Tools

Henderson, NV 89009

Phone: 702-565-9954

Toll Free: 888-798-4499

Fax: 702-579-9046

Email: info@bigfoottools.com

www.bigfoottools.com